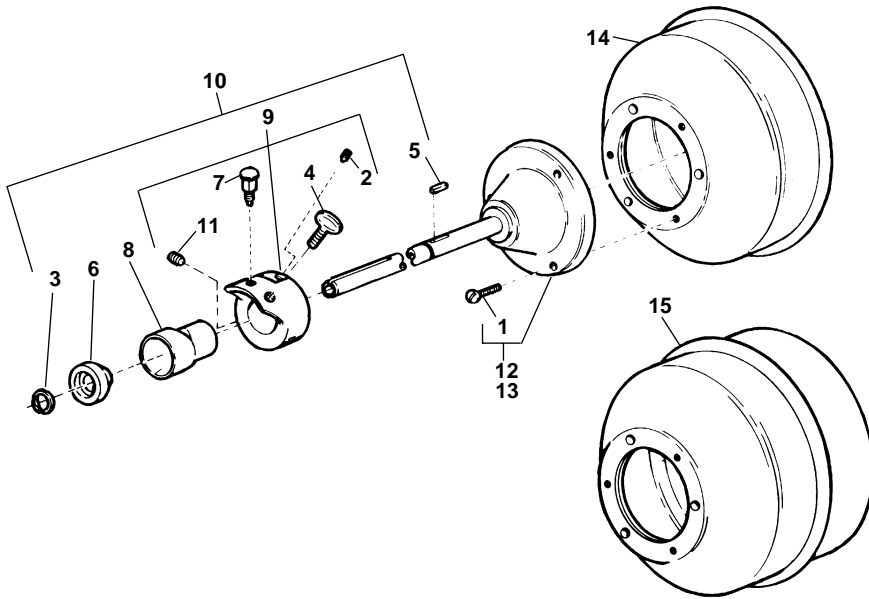


**Cable Adapters**

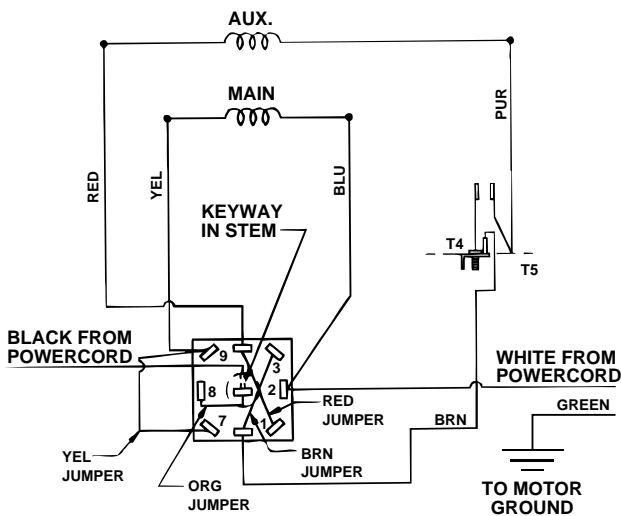
Cable No.	Description
59250	A-17-A Cable Adapter (Includes C-1 Cable - 5/16" x 25' long with Bulb Auger)
59245	A-17-A Cable Adapter - Less Cable
59255	A-17-B Cable Adapter (Includes C-5 Cable - 3/8" x 35' long with Bulb Auger)
59260	A-17-B Cable Adapter - Less Cable
59265	A-17-C Cable Adapter (Includes C-6 Cable - 3/8" x 35' long with Male Coupling)
59260	A-17-C Cable Adapter - Less Cable
92095	A-17-D Cable Adapter (Includes C-21 Cable - 5/16" x 50' long with Bulb Auger)
92100	A-17-E Cable Adapter (Includes C-22 Cable - 5/16" x 50' long with Drop Head Auger)

**NOTE: Order parts by Catalog Number only. DO NOT order by Reference Number.**



Ref. No.	Catalog No.	Description
1	61540	Screw (3)
2	61550	Screw
3	61555	Retaining Ring
4	61560	Thumb Screw (2)
5	61565	Key
6	61735	Brake Cone (Male)
7	59510	Plunger Pin
8	59630	Brake Cone (Female)
9	59760	Adapter Bracket (Incl. Ref. Nos. 7, 4, 2 and 11)
10	59790	Adapter Bracket Assembly (Incl. Ref. Nos. 3, 5, 6, 8 and 9)
11	60025	Screw (2)
12	60325	Tube and Flange with Screws (5/16" Cable Adapter) (Incl. Ref. No. 1)
13	60335	Tube and Flange with Screws (3/8" Cable Adapter) (Incl. Ref. No. 1)
14	63255	Cable Container (5/16" x 25' Cable Only)
15	63250	Cable Container (3/8" x 35' and 5/16" x 50' Cable)

**K-50 Motor Wiring 120V 50/60Hz**



**K-50 Motor Wiring 230V 50Hz**

