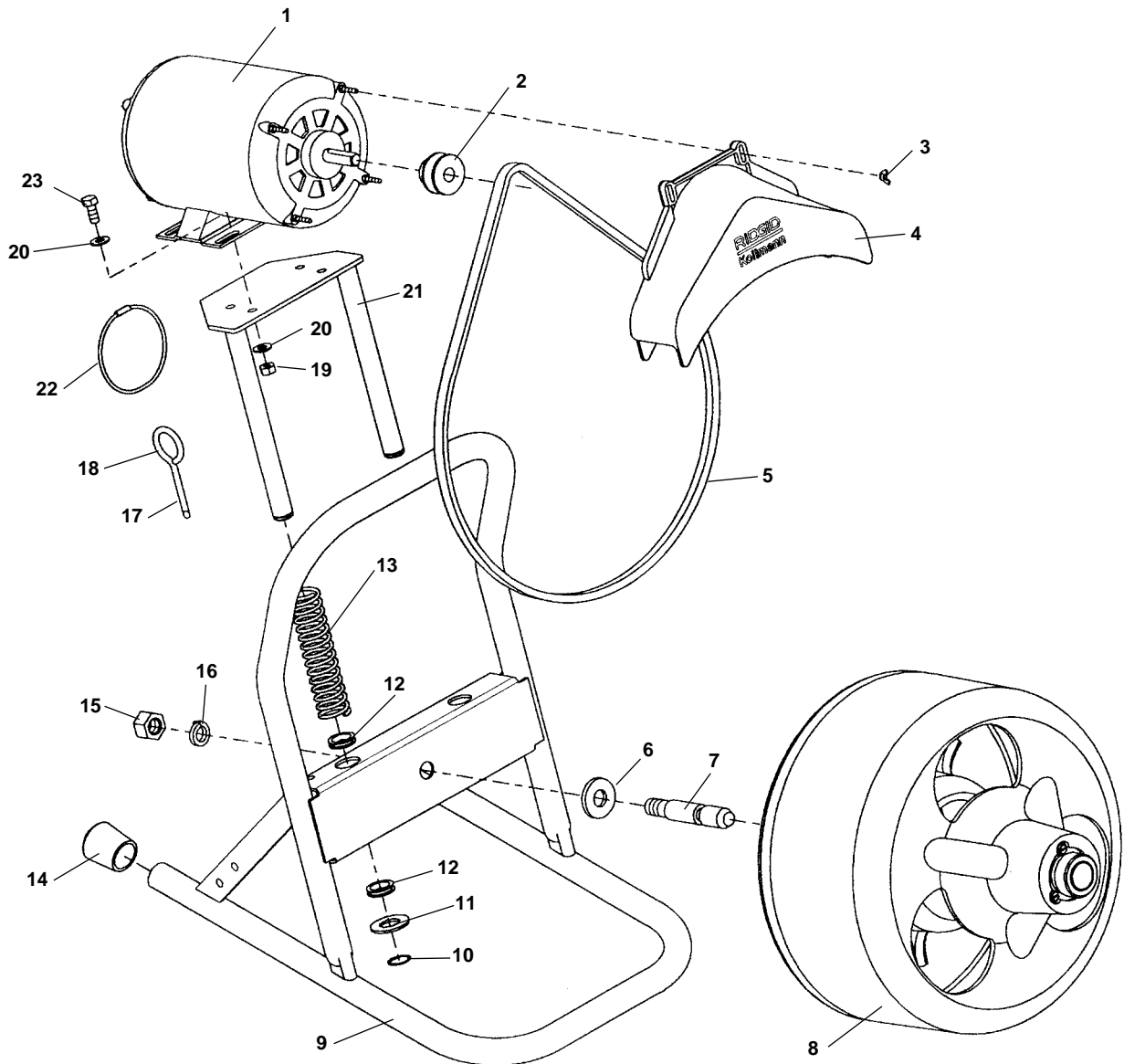


Main Components



**NOTE: Order parts by Catalog Number Only.
DO NOT order by Reference Number.**

| Ref. No. | Catalog No. | Description | Ref. No. | Catalog No. | Description |
|----------|-------------|----------------------------|----------|-------------|------------------------|
| 1 | 37977 | Motor Assembly 120V 60Hz | 12 | 37952 | Nylon Grommet (4) |
| | 44702 | Motor 220/240V 50Hz Export | 13 | 37957 | Spring (2) |
| | 44712 | Motor 220/240V 50Hz Europe | 14 | 37962 | Rubber End Cap (2) |
| 2 | 33082 | Motor Pulley | 15 | 13617 | Hex Nut 5/8" - 11 |
| 3 | 39557 | Wing Nut (2) | 16 | 46682 | Lock Washer 5/8" |
| 4 | 39767 | Belt Guard | 17 | 59230 | 3/8" Cable Pin Key |
| 5 | 37872 | Drive Belt | 18 | 59225 | 1/2" Cable Pin Key |
| 6 | 47077 | Drum Axle Washer | 19 | 96730 | Hex Nut 5/16" - 18 (4) |
| 7 | 37937 | Drum Axle | 20 | 96740 | Flat Washer 5/16" (4) |
| 8 | 37787 | Drum Assembly | 21 | 33087 | Motor Mount |
| 9 | 37942 | Frame | 22 | 54562 | Tool Holder |
| 10 | 37947 | Spiral Ring (2) | 23 | 61130 | Hex Bolt |
| 11 | 37897 | Nylon Washer (2) | | | |