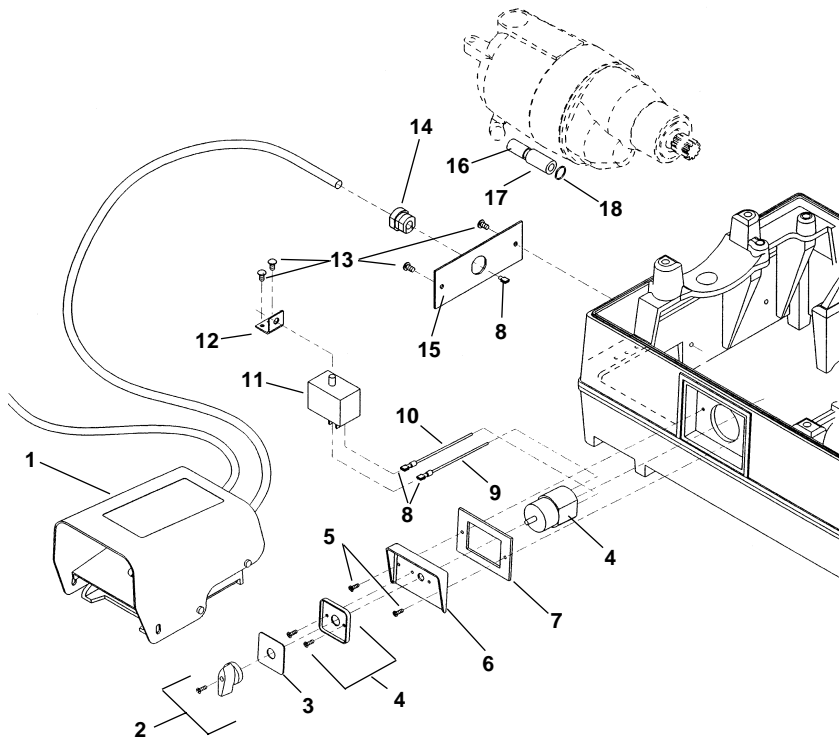


European Electrical Components



NOTE: Order parts by Catalog Number only. DO NOT order by Reference Number.

Ref. No.	Catalog No.	Description
1	36652	B-296 Foot Switch
2	61397	Switch Knob
3	57517	Switch Face Plate
4	54157	Switch Assy. (includes Ref. No. 2)
5	54162	Screw (2)
6	61917	Switch Plate
7	54172	Gasket
8	89190	Quick Disconnect Terminal (4)
9	63392	Blue Wire
10	63387	Brown Wire
11	63372	Suppressor
12	61987	Mounting Bracket
13	45420	Screw (4)
14	54177	Grommet
15	62042	Cord Mounting Plate
16	64462	PVC Tubing
17	63377	Ferrite Bead
18	64467	Cable Tie

European Wiring Diagram

