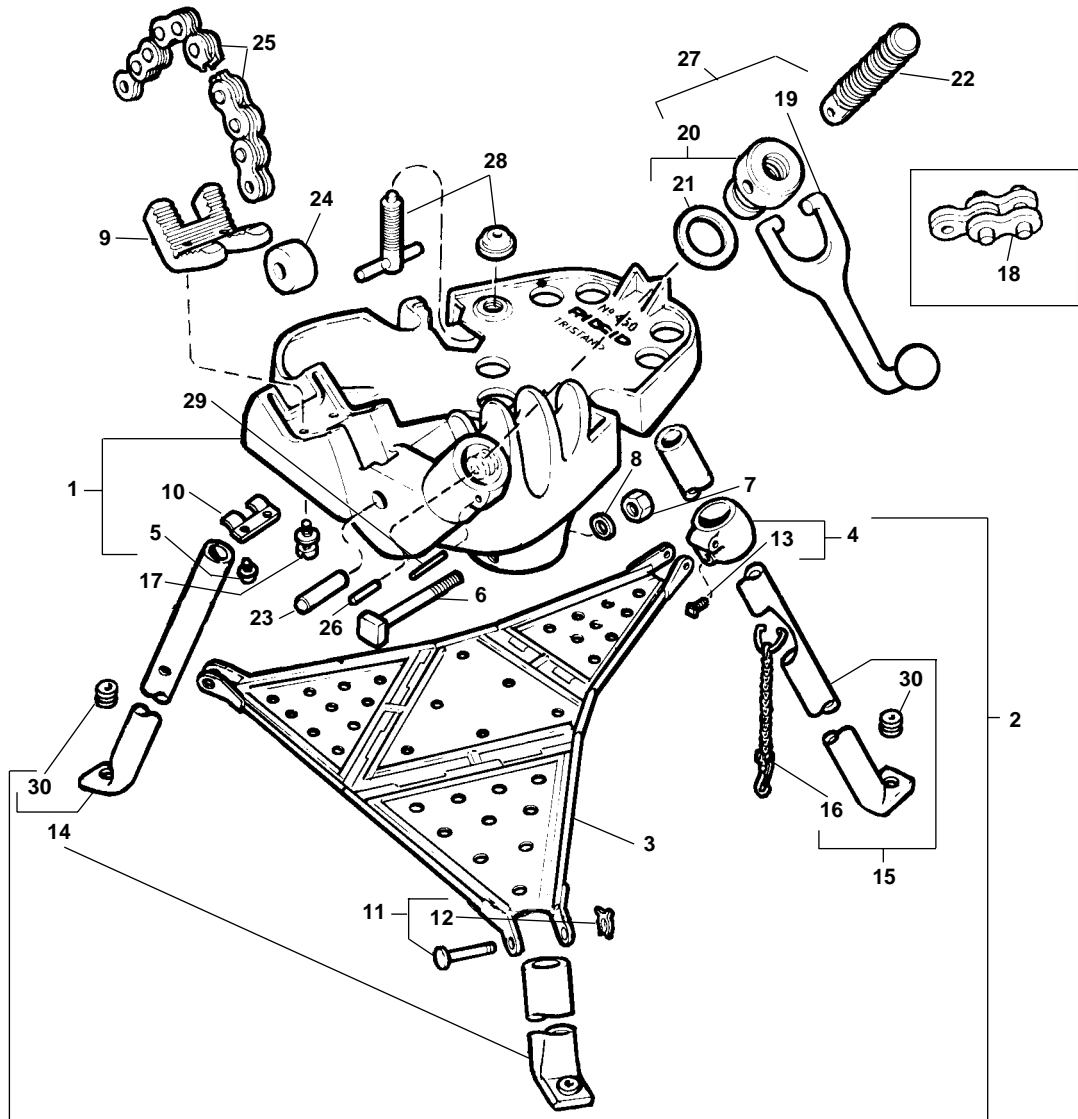


Capacity: 1/8", through 5"



**NOTE: Order parts by Catalog Number only.
DO NOT order by Reference Number.**

Ref. No.	Catalog No.	Description	Ref. No.	Catalog No.	Description
1	41170	Base with Wear Plate and Screws	15	41250	Rear Leg Assembly
2	40915	Leg & Tray Assembly	16	40945	Leg Chain
3	41240	Tool Tray	17	41090	Jaw Screw with Washer (2)
4	41235	Tray Support with Screw	18	68625	Link
5	40960	Screw with Washer (2)	19	41015	Handle
6	46675	Leg Bolt (3)	20	41060	Swivel Nut with Friction Ring
7	44225	Nut (3)	21	41025	Friction Ring
8	40930	Lock Washer (3)	22	41065	Chain Screw
9	41020	Jaw	23	41035	Roll Pin
	41280	Jaw for Plastic Pipe	24	40990	Roll
	40222	Jaw for Coated Pipe	25	41075	Chain Assembly
10	40955	Wear Plate	26	41040	Chain Screw Pin
11	41265	Tray Pin with "X" Washer (3)	27	41050	Handle Assembly
12	41270	"X" Washer (3)	28	41230	Jack Screw Assembly
13	41245	Set Screw	29	31650	Nut Locking Pin
14	41255	Front Leg Assembly (2)	30	40940	Grommet (3)