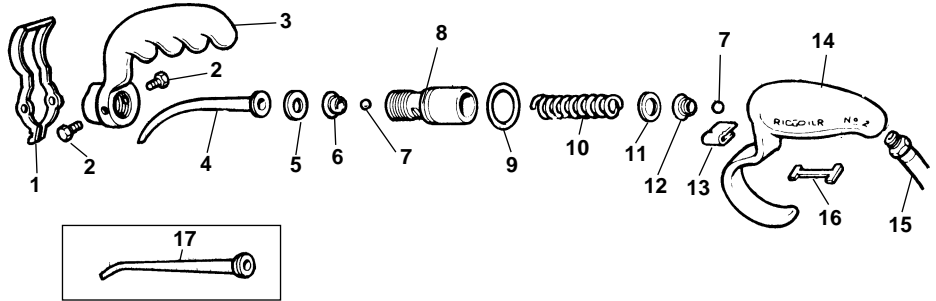


**No. 2 Pump Gun**  
(Used with Nos. 302 and 318 Oilers)

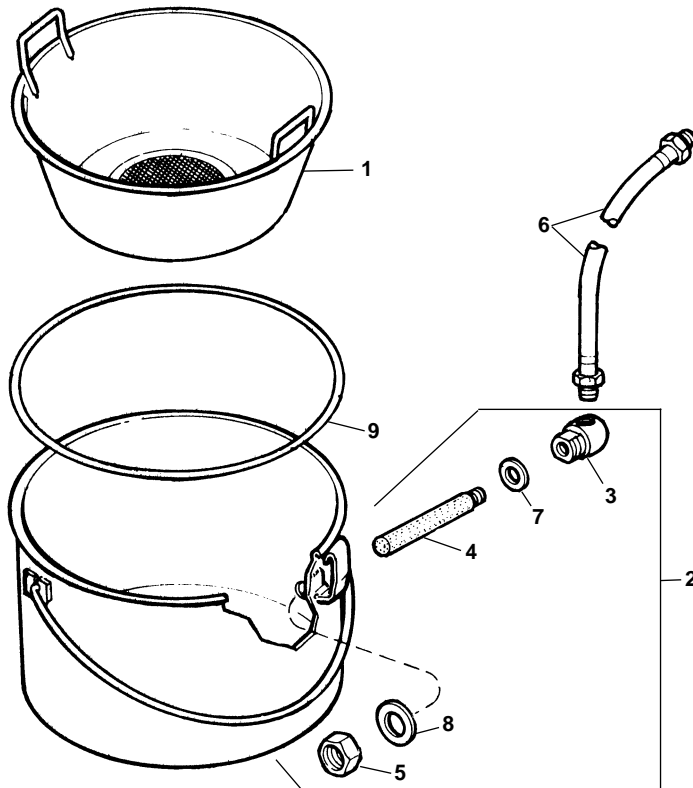


NOTE: Order parts by Catalog Number only.  
DO NOT order by Reference Number.

Ref. No.	Catalog No.	Description	Ref. No.	Catalog No.	Description
—	41675	No. 2 Pump Gun	*10	41740	Piston Spring
—	41680	No. 2 Pump Gun w/Hose	*11	41735	Stop Washer
*1	41750	Actuator	*12	41720	Intake Ball Spring
*2	41755	Screw (2)	*13	41695	Spring Clip
3	41690	Handle	14	41685	Body
*4	41725	Spout	15	41775	Hose with Fittings
*5	41715	Spout Washer (Optional)	*16	41760	Link
*6	41710	Exhaust Ball Spring	17	41830	Long Spout (Industrial Oiler with Small Orifice)
*7	41730	Ball (2)	*	41655	Gun Repair Kit
8	41745	Piston			
*9	41700	Piston "O" Ring			

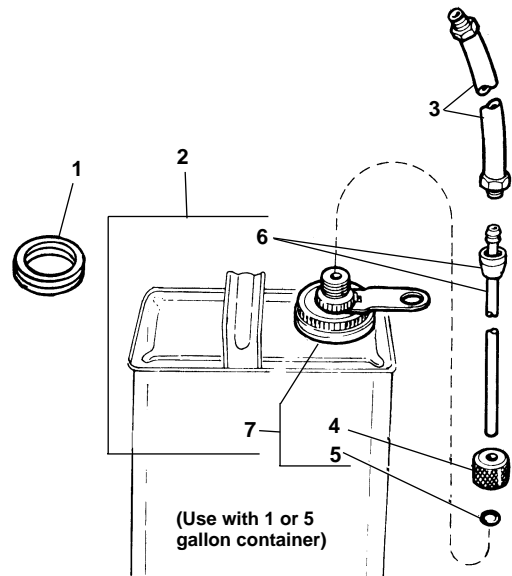
Note: (Parts included in Gun Repair Kit)

**No. 318 Drip Pan and Oil Pan Assemblies**



Ref. No.	Catalog No.	Description
1	41660	Drip Pan Assembly
2	41665	Oil Pan Assembly
3	41705	Coupling
4	41765	Strainer
5	40640	Hex Jam Nut
6	41775	Hose w/Fittings (48" long)
7	41780	Washer
8	41790	Washer
9	41795	Oil Pan Seal

**No. 302 Oiler Extension Tube & Cap Assembly**



Ref. No.	Catalog No.	Description
1	77995	Adapter (Plastic Container)
2	41670	Extension Tube & Cap Assembly
3	41775	Hose with Fittings
4	41810	Lock Nut
5	41815	"O" Ring
6	41825	Extension Tube & Hose Nipple Assembly
7	41820	Screw Cap & Nut Assembly