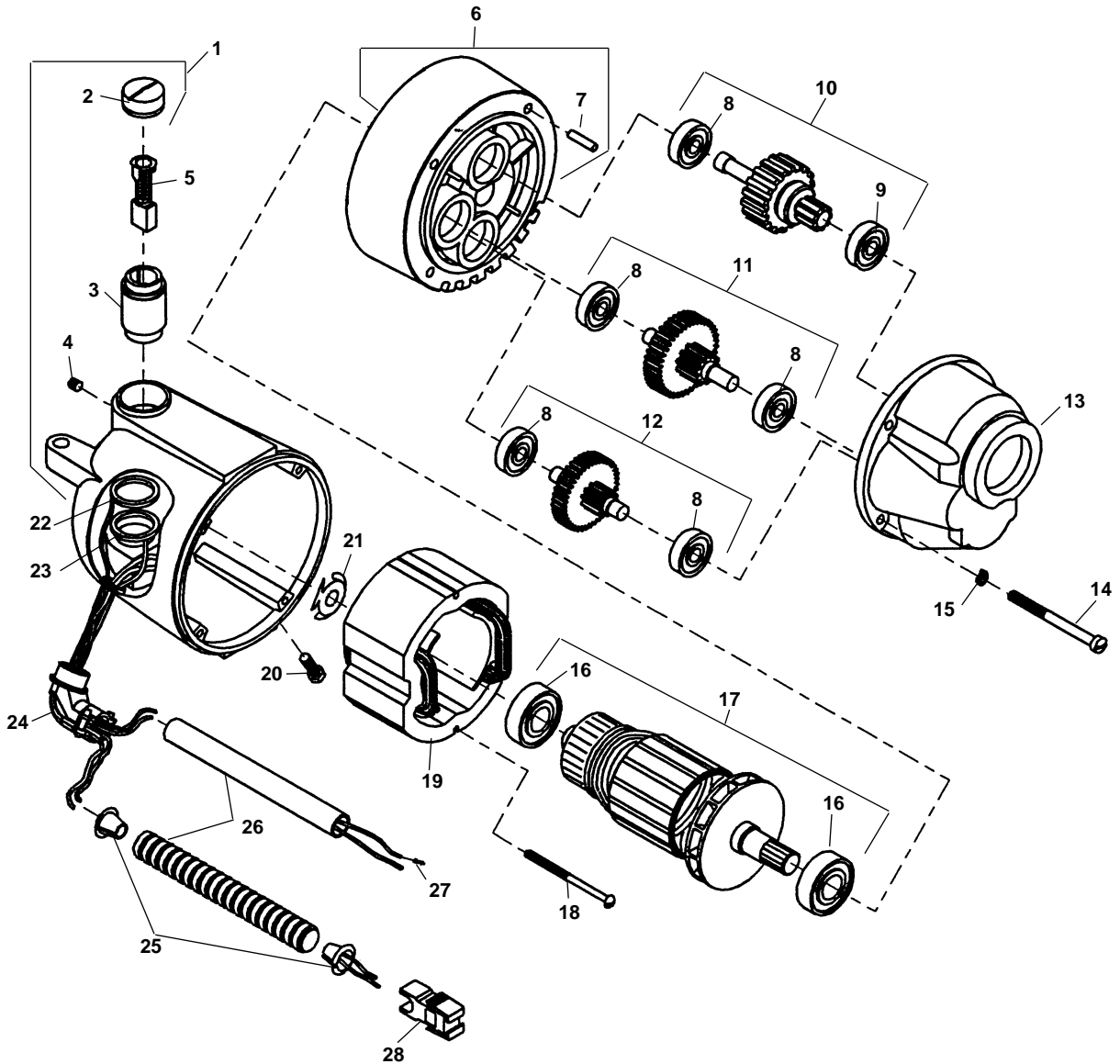


**3177**  
**3277**  
**3177-CE**  
**3277-CE**



**NOTE: Order parts by Catalog Number only.  
 DO NOT order by Reference Number.**

| Ref. No. | Catalog No. | Description          | Ref. No. | Catalog No. | Description           | Ref. No. | Catalog No. | Description                 |
|----------|-------------|----------------------|----------|-------------|-----------------------|----------|-------------|-----------------------------|
| †        | 87740       | 3177 Motor 115V      | 10       | 45370       | Drive Gear            | 20       | 83500       | Locking Screw               |
| †        | 87780       | 3277 Motor 230V      | 11       | 44985       | 1st Gear Assembly     | 21       | 44580       | Loading Spring              |
| †        | 61202       | 3177-CE Motor 115V   | 12       | 45005       | 2nd Gear Assembly     | 22       | 86680       | White Upper Lead            |
| †        | 61207       | 3277-CE Motor 230V   | 13       | 42875       | Gear Housing          | 23       | 86685       | Red Lower lead              |
| 1        | 43160       | Housing Assembly     |          | 19066       | Gear Housing (Europe) | 24       | 46900       | Connector 90 Degree         |
| 2        | 44545       | Brush Cap Set        | 14       | 45075       | Screw (4)             | 25       | 46890       | E-918 Insulator (2)         |
| 3        | 45025       | Brush Holder Set     | 15       | 45150       | Lock Washer           | 26       | 47407       | Flexible Conduit            |
| 4        | 39770       | Set Screw (2)        | 16       | 44565       | Armature Bearing (2)  | 27       | 46880       | Plastic Tube (CE Only)      |
| 5        | 44540       | Brush Assembly Set   | 17       | 44010       | Armature (115V)       | 28       | 88402       | Wire Terminal (4) (CE Only) |
| 6        | 43165       | Fan Housing Assembly |          | 44030       | Armature (230V)       | 29       | 50552       | Plug                        |
| 7        | 45165       | Dowel Pin            | 18       | 44555       | Mounting Screw (2)    |          |             |                             |
| 8        | 45060       | Gear Bearings (5)    | 19       | 44015       | Field (115V)          |          |             |                             |
| 9        | 45315       | Front Bearing        |          | 44038       | Field (230V)          |          |             |                             |

† Refer to Speed Change Chart for Optional Speeds on Page 28