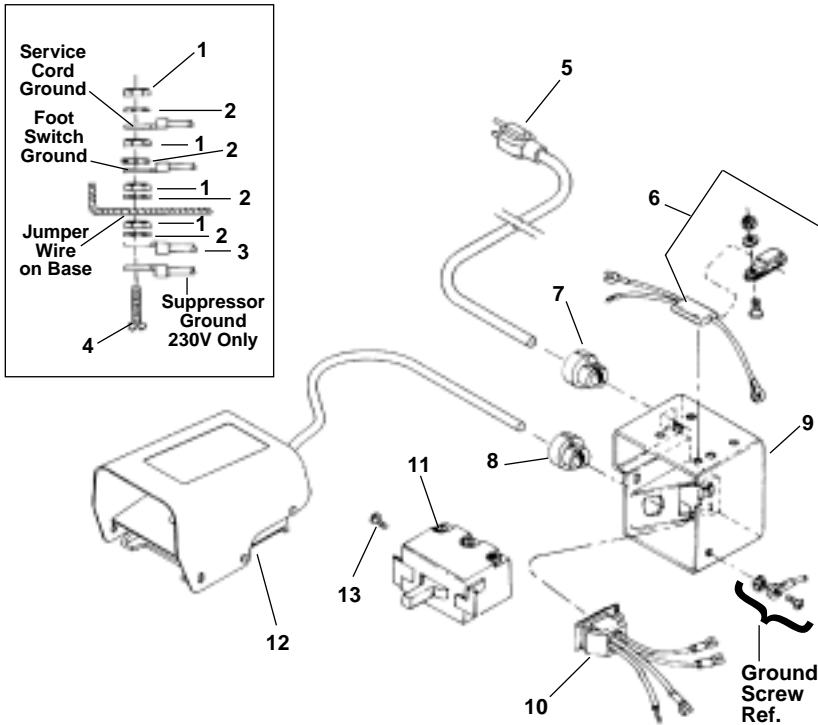


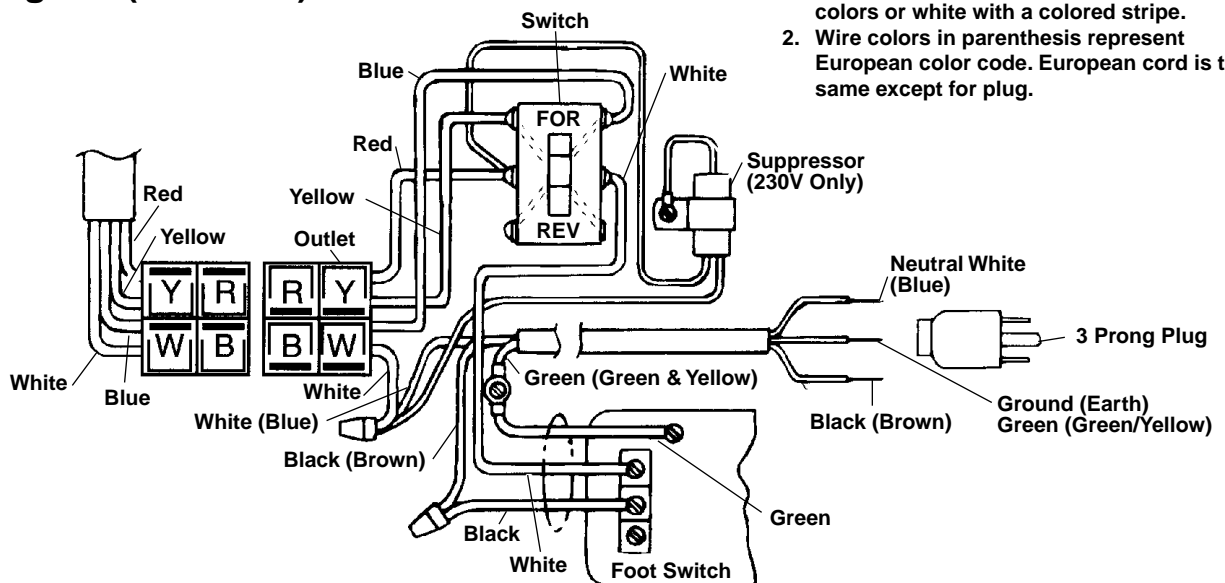
Electrical Components



**NOTE: Order parts by Catalog Number only.
DO NOT order by Reference Number.**

Ref. No.	Catalog No.	Description
1	44695	Hex Nut #10 - 24 (4)
2	46985	Ext. Tooth Washer #10 (4)
3	85925	Jumper Wire
4	92455	Screw #10 - 24 x 3/4"
5	46740	Power Cord w/Plug (115V)
	46410	Power Cord w/Plug (230V)
	75045	Power Cordless Plug (230V Europe/S. Africa)
6	46320	Suppressor Kit (230V Europe)
	99170	Suppressor (230V S. Africa)
7	46735	Cord Grommet
	46730	Cord Grommet (230V Europe/S. Africa)
8	46735	Cord Grommet
9	50612	Switch Box
10	50617	Outlet Jumper Assembly
11	44505	Switch
12	36642	B-294 Foot Switch
13	44180	Screw

Wiring Diagram (115/230V)



1. Brush and Armature Leads may be solid colors or white with a colored stripe.
2. Wire colors in parenthesis represent European color code. European cord is the same except for plug.