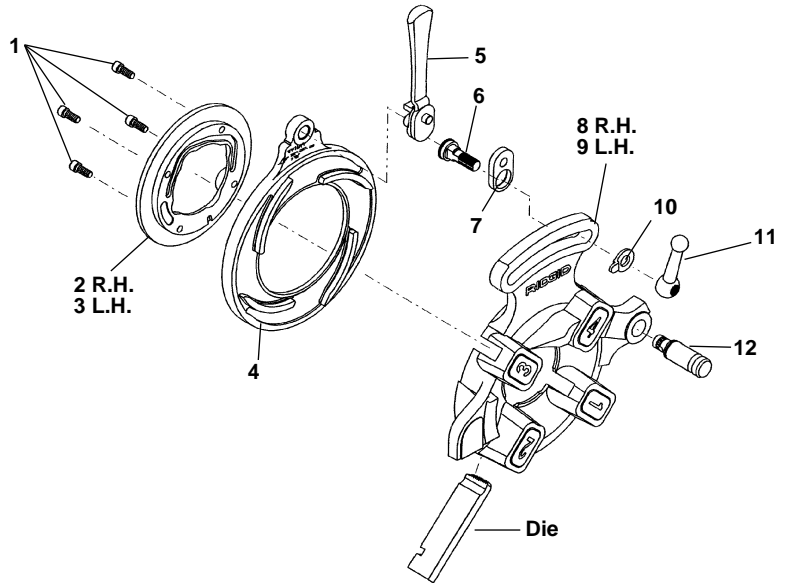


**Quick-Opening
Through-Head-Oiling Die Heads**

**811A NPT
811A BSPT
842
531B
532B**

NOTE: Order parts by Catalog Number only.
DO NOT order by Reference Number.

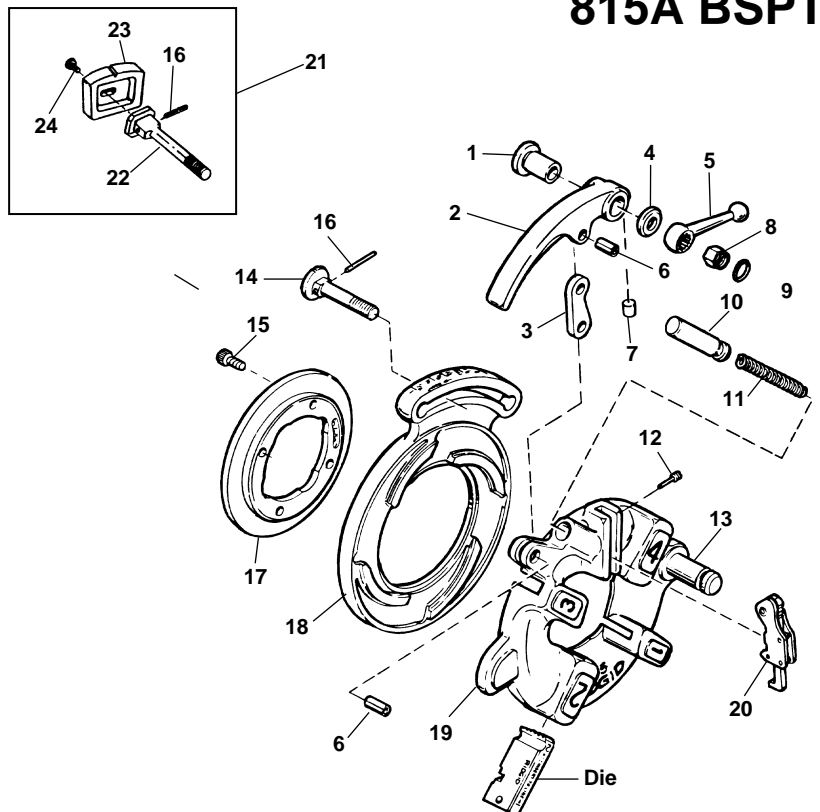
Ref. No.	Catalog No.	Description
—	97065	811A NPT Quick Opening (Through-Head-Oiling) Die Head (NPT RH)
	97070	842 Quick Opening (Through-Head-Oiling) Die Head (NPT LH)
	23282	811A BSPT Quick Opening (Through-Head-Oiling) Die Head (BSPT RH)
	97045	531B Quick Opening Through-Head-Oiling) Die Head (1/4" - 1 Bolt RH/LH)
	97050	532B Quick Opening (Through-Head-Oiling) Die Head (1/4" - 2 Bolt RH/LH)
1	32205	Screw
2	97020	Retaining Ring RH (811A)
	46620	Retaining Ring RH/LH (531)
	46625	Retaining Ring RH/LH (532)
3	23292	Retaining Ring LH (842)
4	43360	Cam Plate (811A, 842)
	43405	Cam Plate (531)
	43410	Cam Plate (532)
5	46520	Throwout Lever (811A, 842)
	46555	Throwout Lever (531, 532)
6	39860	Lock Screw (811A, 842)
	39955	Lock Screw (531, 532)
7	39950	Link
8	40922	Head w/Post RH (811A)
	97025	Head w/Post RH (851)
	97055	Head w/Post LH/RH (531)
	97060	Head w/Post LH/RH (532)
9	23287	Head w/Post LH (842)
10	39460	Lever Washer
11	39970	Clamp Lever
12	59832	Post



**Self-Opening
Through-Head-Oiling Die Heads**

**815A NPT
815A BSPT**

Ref. No.	Catalog No.	Description
—	97075	815A Self-Opening (Through-Head-Oiling) Die Head (NPT)
	97080	815A Self-Opening (Through-Head-Oiling) Die Head (BSPT)
1	44240	Bushing
2	43830	Throw-Out Lever
3	44265	Throw-Out Link
4	44245	Washer
5	44260	Clamp Lever
6	44270	Roll Pin (2)
7	45055	Insert
8	44250	Nut
9	44255	Retaining Ring
10	44275	Throw-Out Plunger
11	48997	Spring
12	44290	Trigger Screw
13	59832	Post
14	44235	Lock Screw
15	32205	Screw (4)
16	45050	Pin
17	97020	Retaining Ring
18	40942	Cam Plate (815A NPT)
	97040	Cam Plate (815A BSPT)
19	40932	Head w/Post
20	44285	Trigger Assembly
	32982	Adj. Trigger Assembly (Europe)
	45327	Trigger Assy. (Europe)
21	45332	Gauge Plate Assembly
22	46722	Adj. Lock Screw
23	46717	Gauge Plate
24	47147	Screw



See 1822 Service Notes