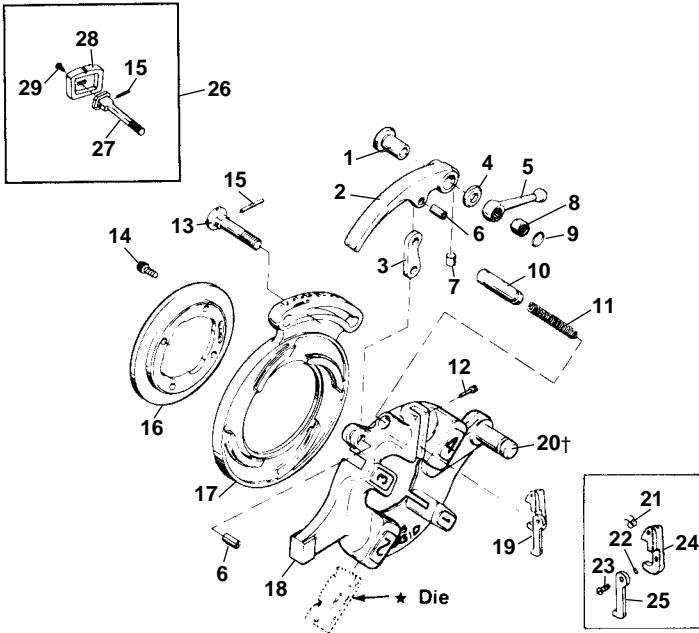


Nos. 711 & 911 Self-Opening Die Heads

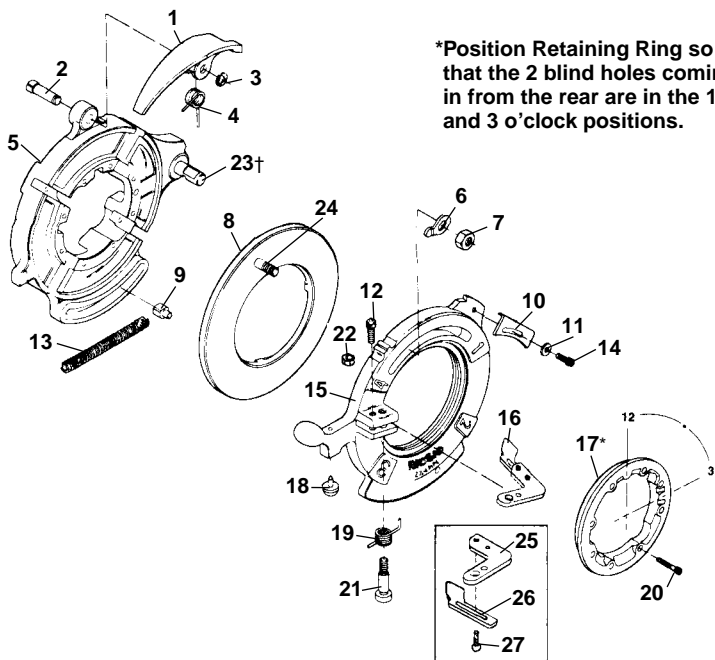
**NOTE: Order parts by Catalog Number only.
DO NOT order by Reference Number.**



Ref. No.	Catalog No.	Description
—	26132	711 Self-Opening Die Head (NPT)
—	26137	911 Self-Opening Die Head (BSPT)
—	41382	911 Self-Opening Die Head f/Japan (BSPT)
—	46862	911 Self-Opening Die Head f/Europe
1	44240	Bushing
2	43830	Throw-out Lever
3	44265	Throw-out Link
4	44245	Thrust Washer
5	44260	Clamp Lever
6	44270	Spiral Pin
7	45055	Insert
8	44250	Nut
9	44255	Retaining Ring
10	44275	Throw-out Plunger
11	11565	Spring
12	44290	Trigger Screw
13	44235	Lock Screw
14	32205	Screw 1/4" - 20 x 5/8"
15	45050	Pin
16	97020	Retaining Ring
17	40942	Cam Plate (NPT)
	97040	Cam Plate (BSPT)
18	26717	Head w/Post
19	44285	Trigger Assy.
	32982	Adjustable Trigger Assy. (Europe)
	44687	Stepped Trigger Assy. (Japan)
†20	59827	Post
21	39982	Spring
22	44460	O-Ring
23	39967	Screw (Left Hand)
24	39977	Trigger Pivot
25	39972	Adjustable Trigger (Europe)
	44672	Stepped Trigger (Japan)
	45327	Stepped Trigger (Europe)
26	45332	Adj. Gage Plate Assy.
27	46722	Adj. Lock Screw
28	46717	Adj. Gage Plate
29	47147	Button Head Screw

† - See Service Notes

Nos. 714 & 914 Self-Opening Receding Die Heads



Ref. No.	Catalog No.	Description
—	26152	714 Self-Opening Receding Die Head (NPT)
—	26157	914 Self-Opening Receding Die Head (BSPT)
—	41387	914 Self-Opening Receding Die Head (BSPT) w/Adjustable Trigger
1	26877	Release Lever
2	26932	Groove Pin
3	26937	Retaining Ring
4	26872	Spring
5	26712	Die Head w/Post
6	26957	Lever Washer
7	26887	Hex Nut 7/16" - 20
8	26952	Cam Assy. (NPT)
	27277	Cam Assy. (BSPT)
9	26632	Drive Block
10	26867	Lockout Plate
11	27097	Washer 9/32"
12	27357	Screw 1/4" - 20 x 7/8"
13	26612	Drive Block Spring
14	32145	Screw 1/4" - 20 x 1/2"
15	26882	Cam Locking Plate
16	26617	Release Foot (NPT)
	32507	Release Foot (BSPT)
	32977	Adjustable Release Foot (BSPT)
*17	26637	Retaining Ring
18	26962	Sine Bar Ball
19	26622	Torsion Spring
20	26642	Screw #10 - 32 x 1 3/8" (8)
21	26627	Shoulder Bolt
22	77710	Hex Nut 1/4" - 20
†23	59827	Post
24	33227	Cam Bolt
25	39992	Release Foot Pivot
26	39987	Release Foot (BSPT)
27	32205	Screw

† - See Service Notes