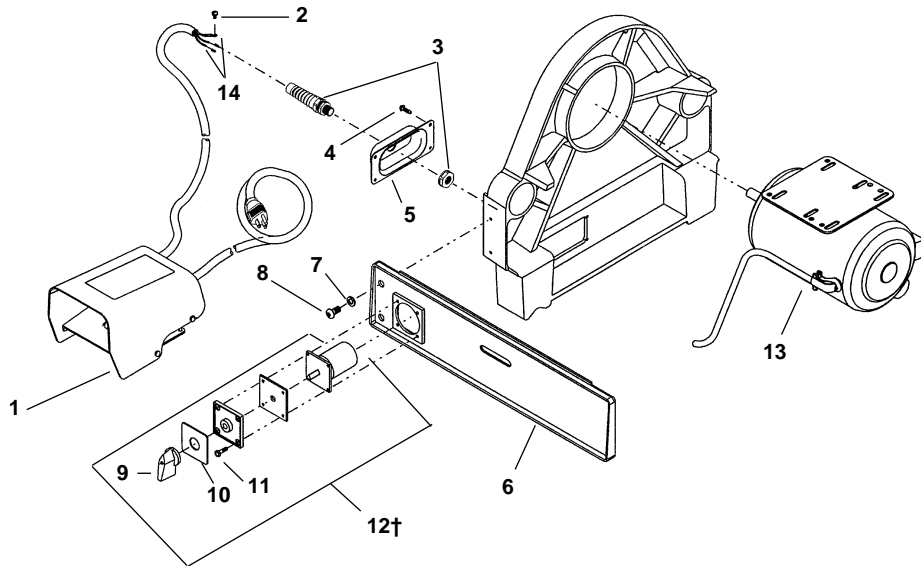


**50 Hz Electrical Components**

**NOTE: Order parts by Catalog Number only. DO NOT order by Reference Number.**



Ref. No.	Catalog No.	Description
1	36652	B-296 Foot Switch
	36657	B-297 Foot Switch
2	45420	Ground Screw
3	27187	Strain Relief
4	41597	Self Tapping Screw (4)
5	27197	Strain Relief Bracket
6	59722	Front Side Plate
7	40930	Lock Washer 3/8" (8)
8	26997	Screw 3/8" - 16 x 3/4" (8)
9	59702	Switch Knob
10	59717	Switch Plate
11	45280	Switch Screws (4)
12†	59757	Switch Assembly
13	27282	Motor 220/240V 50 Hz
	27287	Motor 110V 50 Hz
14		Wire Terminal

† Ref. No. 12 – When replacing early style switches, which have a black body, order Switch Kit, Catalog No. 59762. Kit includes 59757 Switch Assembly and 59742 Switch Adapter Plate

**1224 & 1822-I Replacement Switch Wiring Diagram**

